



## T6 SMART THERMOSTAT

Compatible with 24-230V on/off and OpenTherm® appliances such as gas boilers, combi-boilers and heat pump. Also works with zone valve applications but not with electric heating (240V).

**Need help?** For assistance please visit: [getconnected.honeywell.com](http://getconnected.honeywell.com)

Honeywell Control Systems Ltd., Skimped Hill Lane,  
Bracknell, Berkshire, RG12 1EB

### Approvals

Conforms to protection requirements of the following directives: EMC: 2014/30/EU, LVD: 2014/35/EU and RED: 2014/53/EU. Hereby, Honeywell, declares that this thermostat is in compliance with the essential requirements and other relevant provisions of Directive 2014/53/EU. The full text of the EU Declaration of Conformity is available at the following Internet address: <http://hwll.co/DoC>

Wi-Fi (2.4GHz): Max Power 100mW, 2.4-2.458GHz  
ErP: Class V (+3%), (EU) 811/2013



### Must be installed by a competent person!

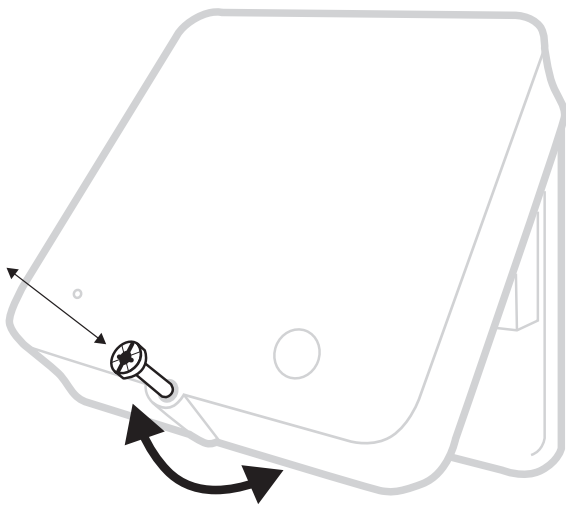
Read these instructions carefully. Failure to follow these instructions can damage the product or cause a hazardous condition.

## 2 Prepare Receiver Box for installation

### Before installation of the Receiver Box

Find a suitable location near to the boiler.

Loosen the front screw to remove cover or tighten it when the cover is back in place.

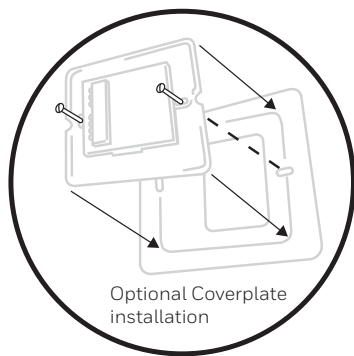


### Needed during installation:

- Cable with 2 wires from the Receiver Box (R4H810A) to thermostat.
- Cable with 2 wires from the boiler to Receiver Box.
- The Receiver Box requires 230V power

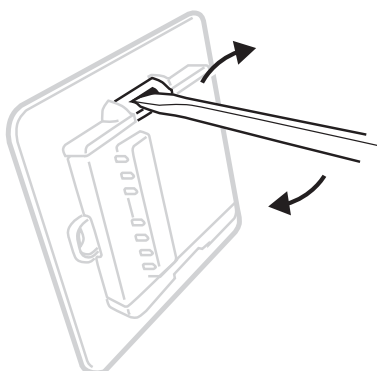
## 4 Install the T6 thermostat

Remember to use the same wires that you connected to the Receiver Box when connecting to the thermostat.

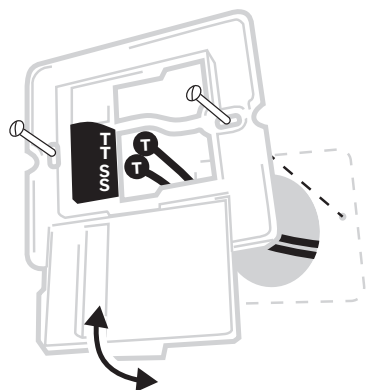


Optional Coverplate installation

**A)** Using a screwdriver open wallplate terminal cover to connect wires



**B)** Connect 2 thermostat wires to the T and T terminals and close cover.

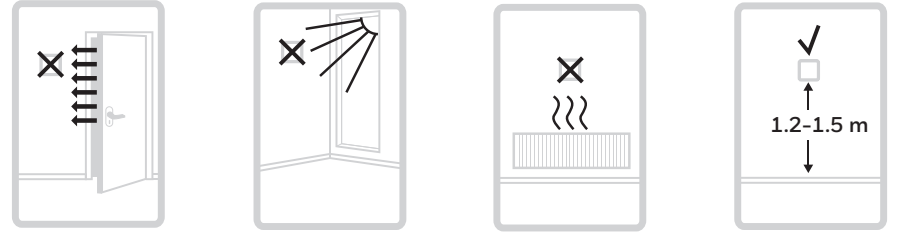


**C)** Attach the thermostat to the wallplate when finished.

## 1 Turn OFF the power and remove the old thermostat

To ensure your safety, **always make sure mains power is switched OFF** before accessing wiring.

**Before removing the old thermostat** take a picture of the old thermostat's wiring as reference then proceed to installation.



The T6 thermostat should not be placed near draughts, in direct sunlight or near heat sources. It should be at least 1.2 - 1.5 meters from the floor.

**Maximum cable length between Receiver box and thermostat:**  
15m for 0.5mm<sup>2</sup> cable or 20m for 1.0mm<sup>2</sup> cable.



### WEEE Directive 2012/19/EC Waste Electrical and Electronic Equipment directive

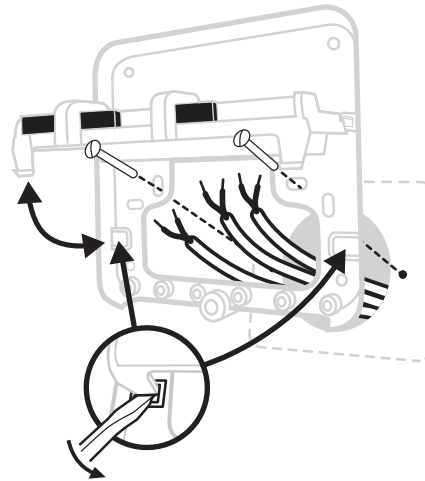
At the end of the product life dispose of the packaging and product in a corresponding recycling centre. Do not dispose of the unit with the usual domestic refuse. Do not burn the product.

## 3 Install the Receiver Box

**Please refer to the wiring diagrams over the page**

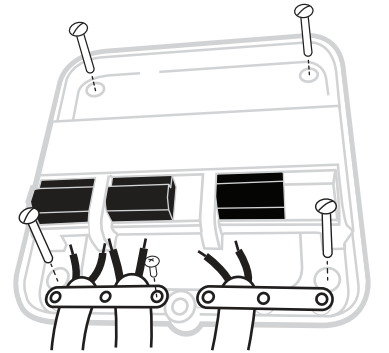
### A) Wall box or Rear Wiring

Hinge open the terminal block flap to access the cables and wall box screw holes.



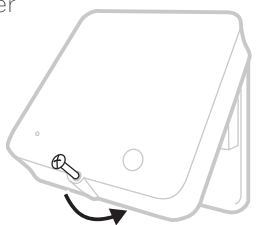
### B) Surface wiring

Use the cable clamps to secure the surface wiring.



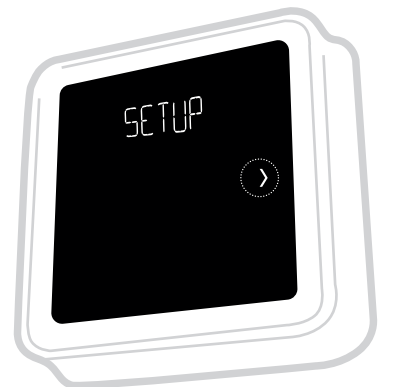
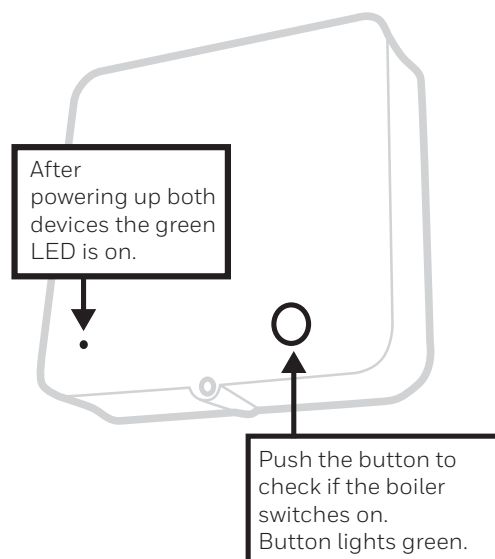
### C) Replace the cover

Locate the hinges at the top of the cover and wall plate, close the cover and secure with the screw.



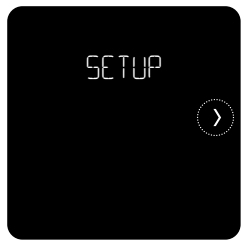
## 5 Complete installation

Turn ON mains power to the Heating Appliance and Receiver Box.

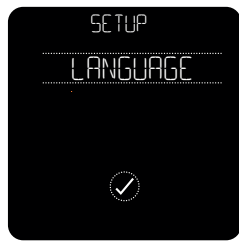


After power up, SETUP is displayed on the thermostat's screen.

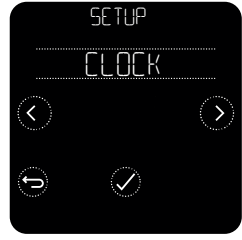
# 6 Set Up and configuration



1) Touch to begin setting up the thermostat.



2) Select your language.

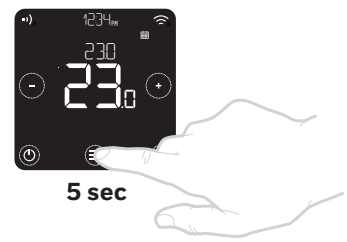


3) Set the clock format, time and date.



4) Touch to finalise setup.  
( to setup using the App is currently unsupported)

Once setup is completed, if you need to change more settings go to the advanced menu. To access the advanced menu press for 5 seconds.

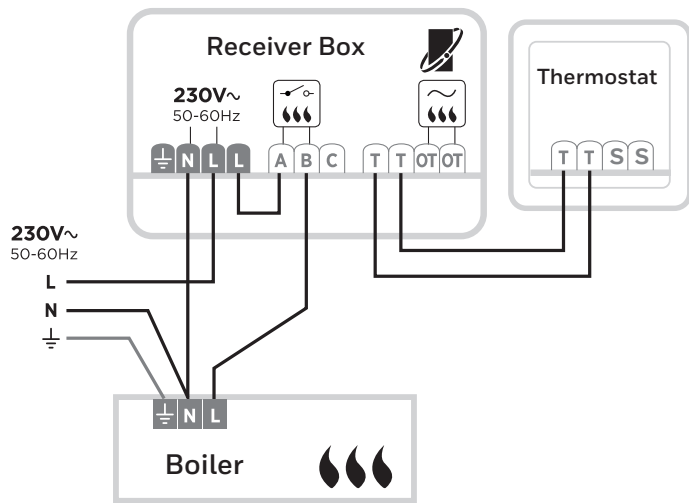


In the advanced menu the following settings can be adjusted:

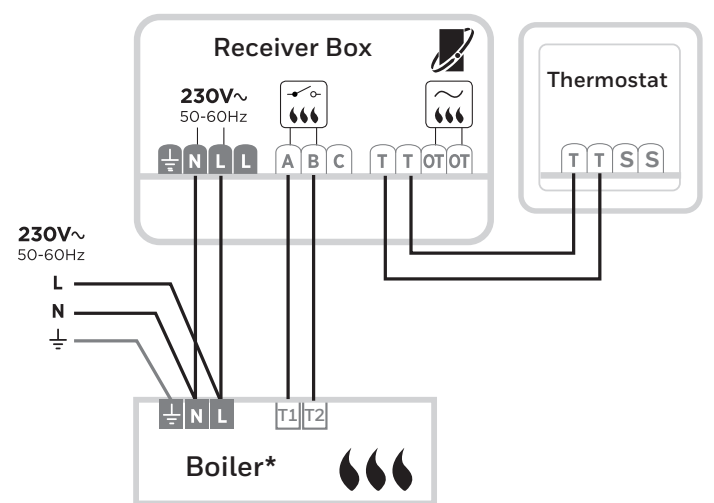
Menu Item	Default	Options
LANGUAGE	English	0 = English, 1 = Français, 2 = Español, 3 = Deutsch, 4 = Nederlands, 5 = Italiano
OPENTHERM	-	OpenTherm boiler data when available
CYCLE RATE	6	3, 6, 9 or 12
MINIMUM ON TIME	1 minute	1, 2, 3, 4 or 5 minutes
HEAT RANGE	Min = 5.0°C Max = 35.0°C	Min: 5°C to 21°C, Max: 21°C to 35°C
SCHEDULE OPTIONS	Daily	1 = Daily schedule, 2 = 5+2 days schedule
EXTERNAL SENSOR	No sensor	0 = No sensor, 1 = Room sensor
OPTIMISE	Opt. start OFF Opt. stop OFF	Opt. start: 0 = OFF, 1 = ON, 2 = Delayed start Opt. stop: 0 = OFF, 1 = ON
CLOCK	Format: 24h Time: --:-- Date: 01/09/16	Clock format: 1 = 12h, 2 = 24h Setup time and date
LOW LOAD CONTROL	ON	0 = OFF, 1 = ON
TEMPERATURE OFFSET	0.0°C	-1.5 °C to 1.5°C
RESET	-	Factory, schedule, WiFi and HomeKit reset
FAILSAFE	OFF	0 = OFF, 1 = ON

## Wiring Diagrams

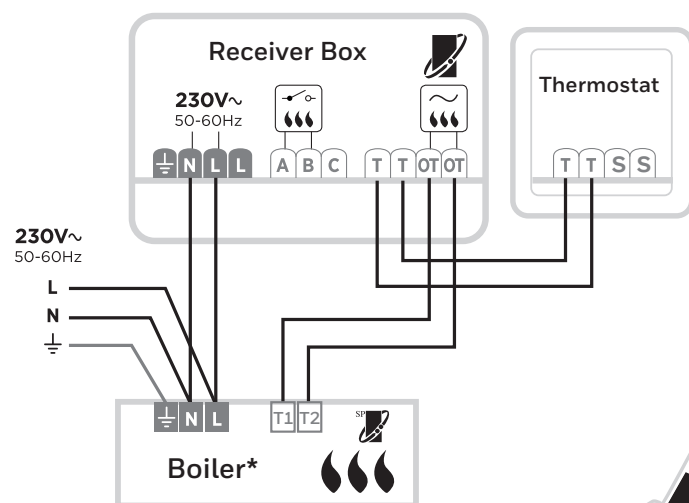
A) Basic 230V boiler



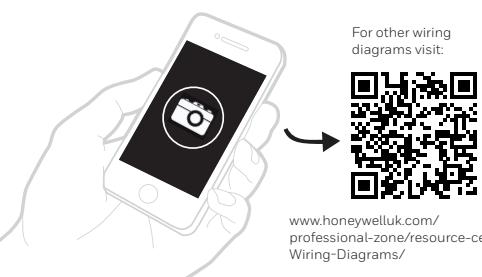
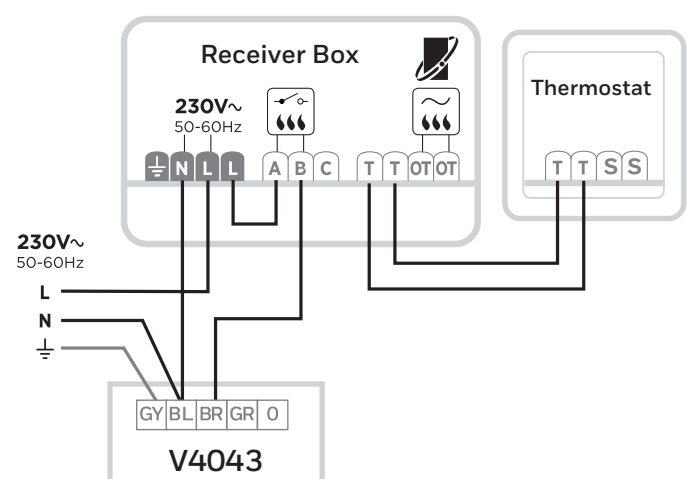
B) Combi boiler



C) OpenTherm boiler



D) Two-port zone valve or S-plan



\* See boiler specifications for correct terminals